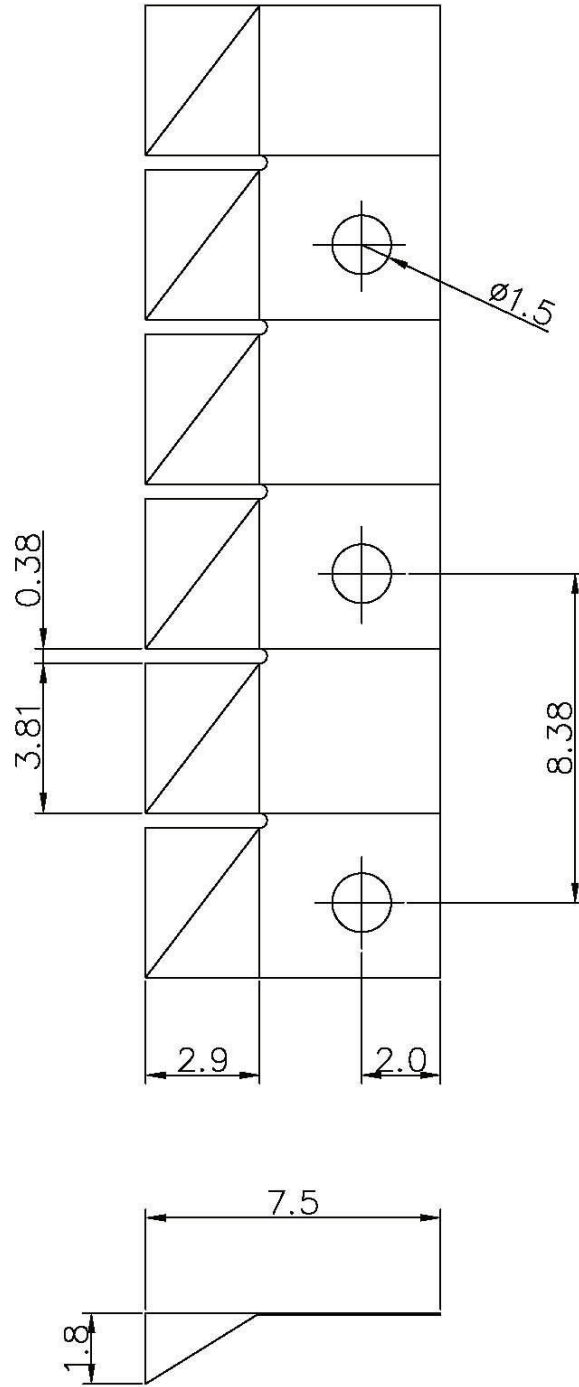
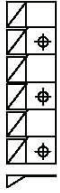


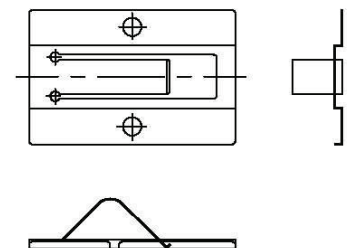
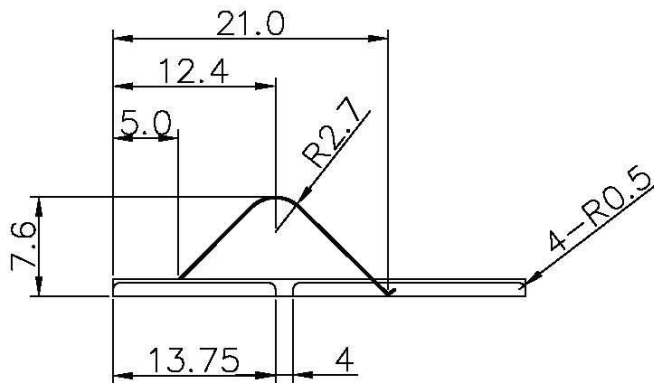
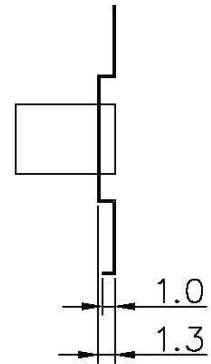
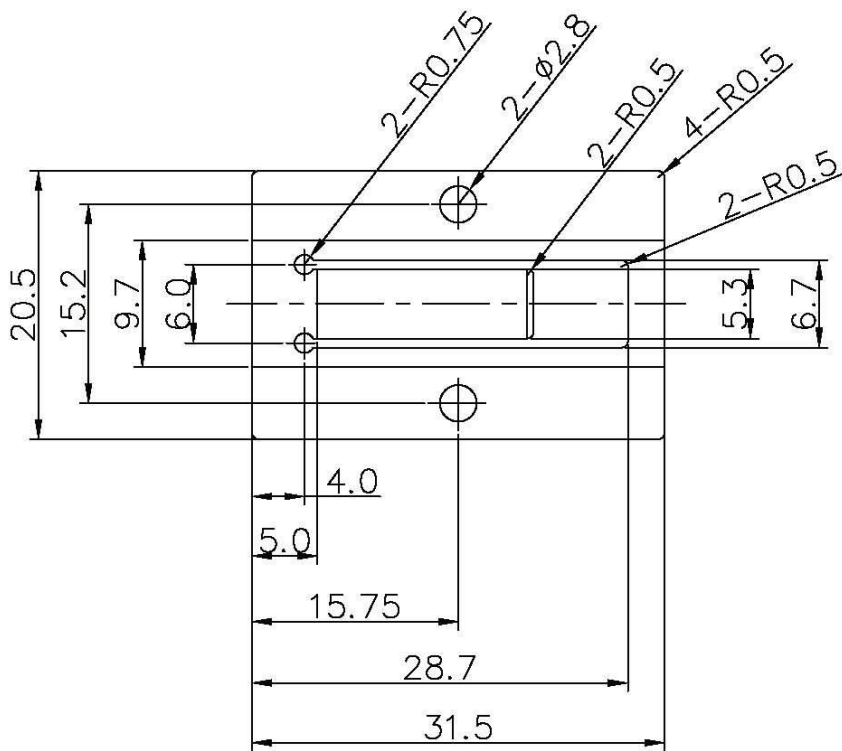
SCALE : 10/1

Designed by	Checked by	Approved by - date	Date	Material
			040612	BeCu 0.1t
			Title	SMD FINGER
			P/N	0023-7
			Edition	Sheet



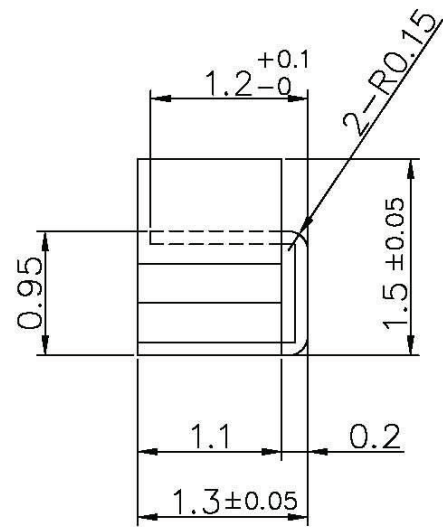
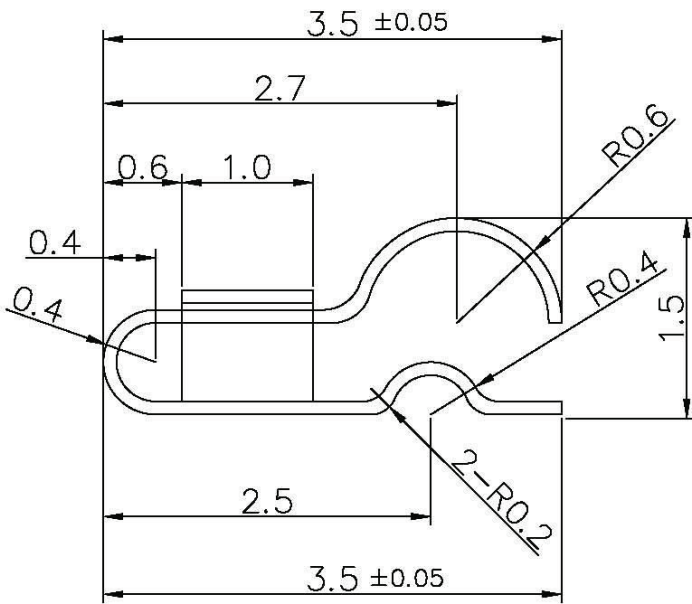
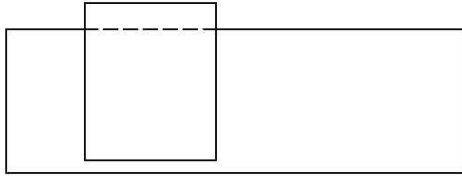
SCALE : 6/1

Designed by	Checked by	Approved by - date	Date	Material
			040612	BeCu 0.05t
			Title	FINGER STRIP
			P/N	0024



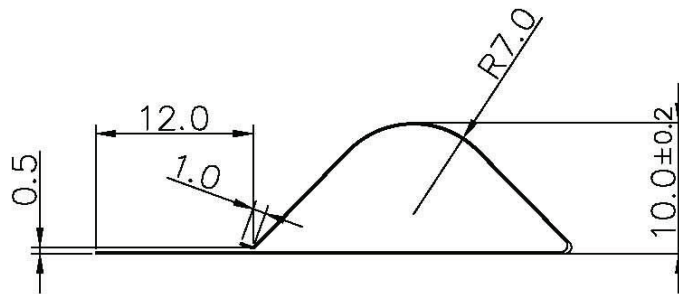
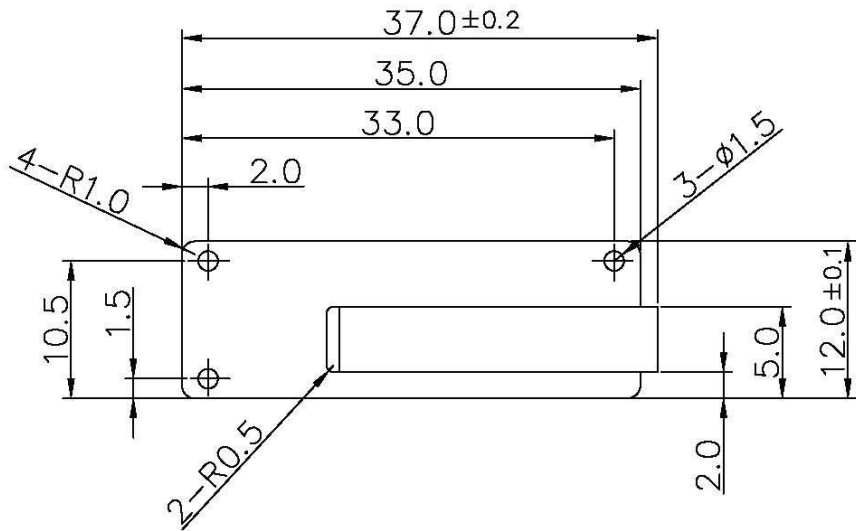
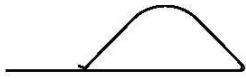
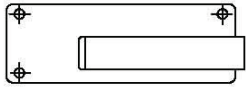
SCALE : 2/1

Designed by	Checked by	Approved by - date	Date	Material	
			040612	BeCu 0.15t	
			Title	FINGER STRIP	
			P/N	0025	Edition Sheet



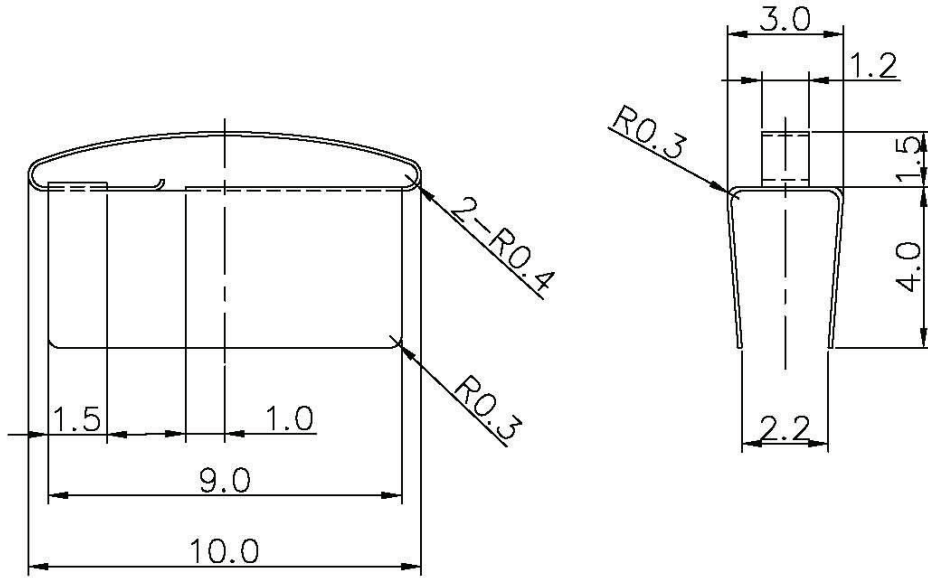
SCALE : 20/1

Designed by	Checked by	Approved by - date	Date	Material
			040612	BeCu 0.1t
			Title	FINGER STRIP
			P/N	0026
			Edition	Sheet



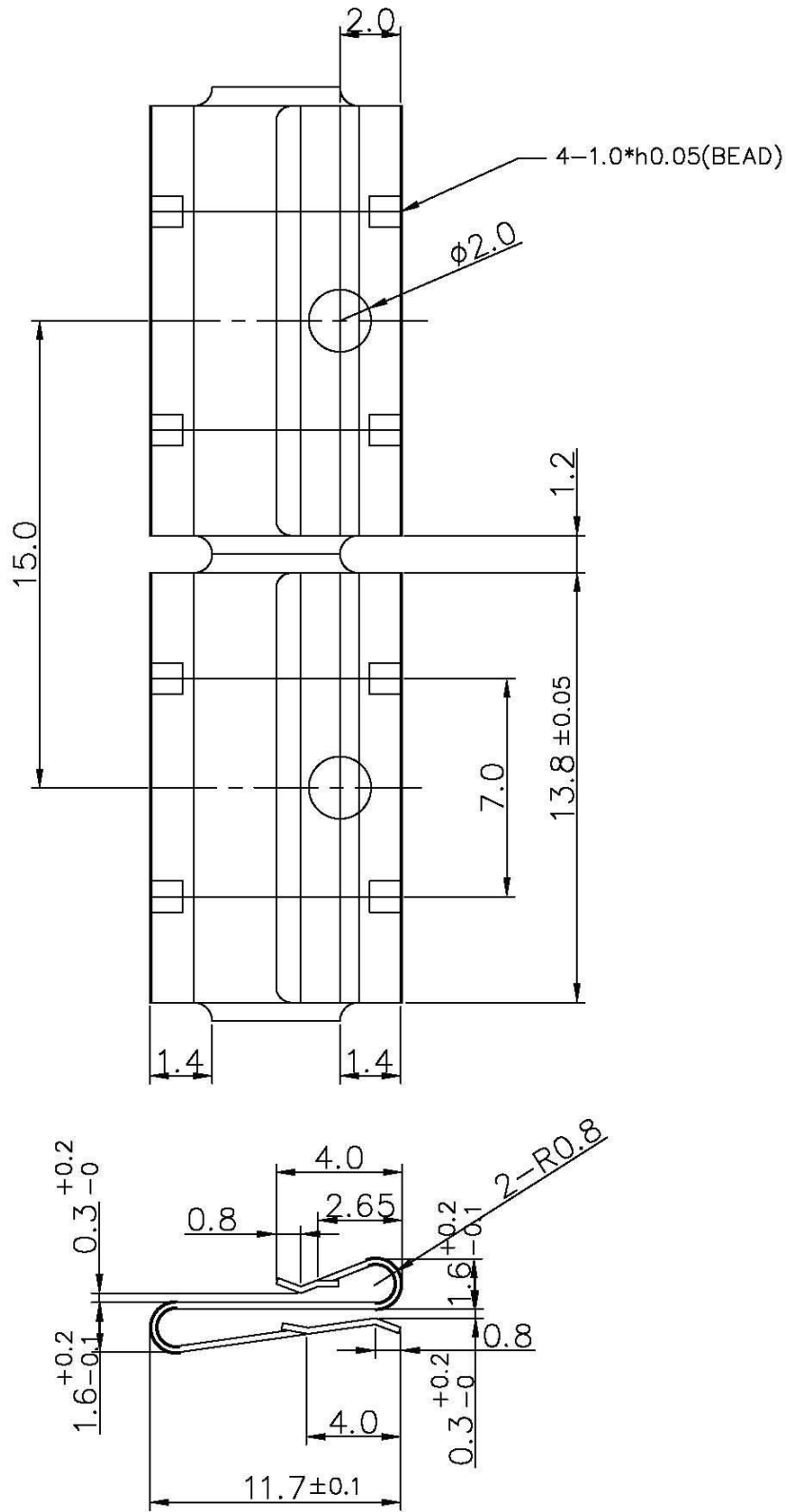
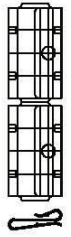
SCALE : 2/1

Designed by	Checked by	Approved by - date	Date	Material	
			040612	BeCu 0.13t	
			Title	FINGER STRIP	
			P/N	0027	Edition Sheet



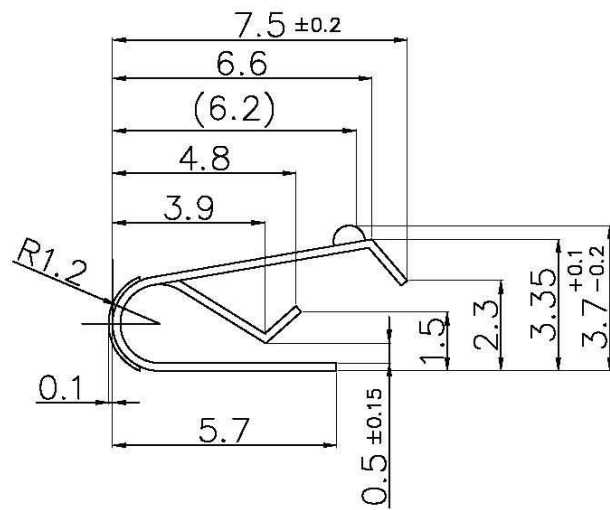
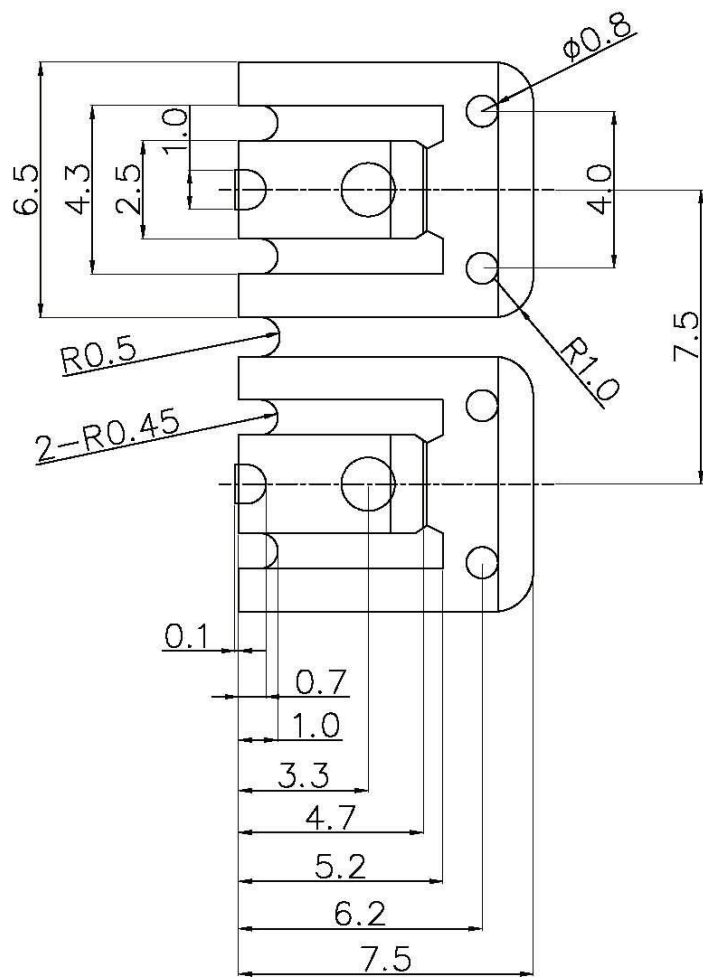
SCALE : 6/1

Designed by	Checked by	Approved by - date	Date	Material
			040612	BeCu 0.1t
			Title	FINGER STRIP
			P/N	0028
			Edition	Sheet



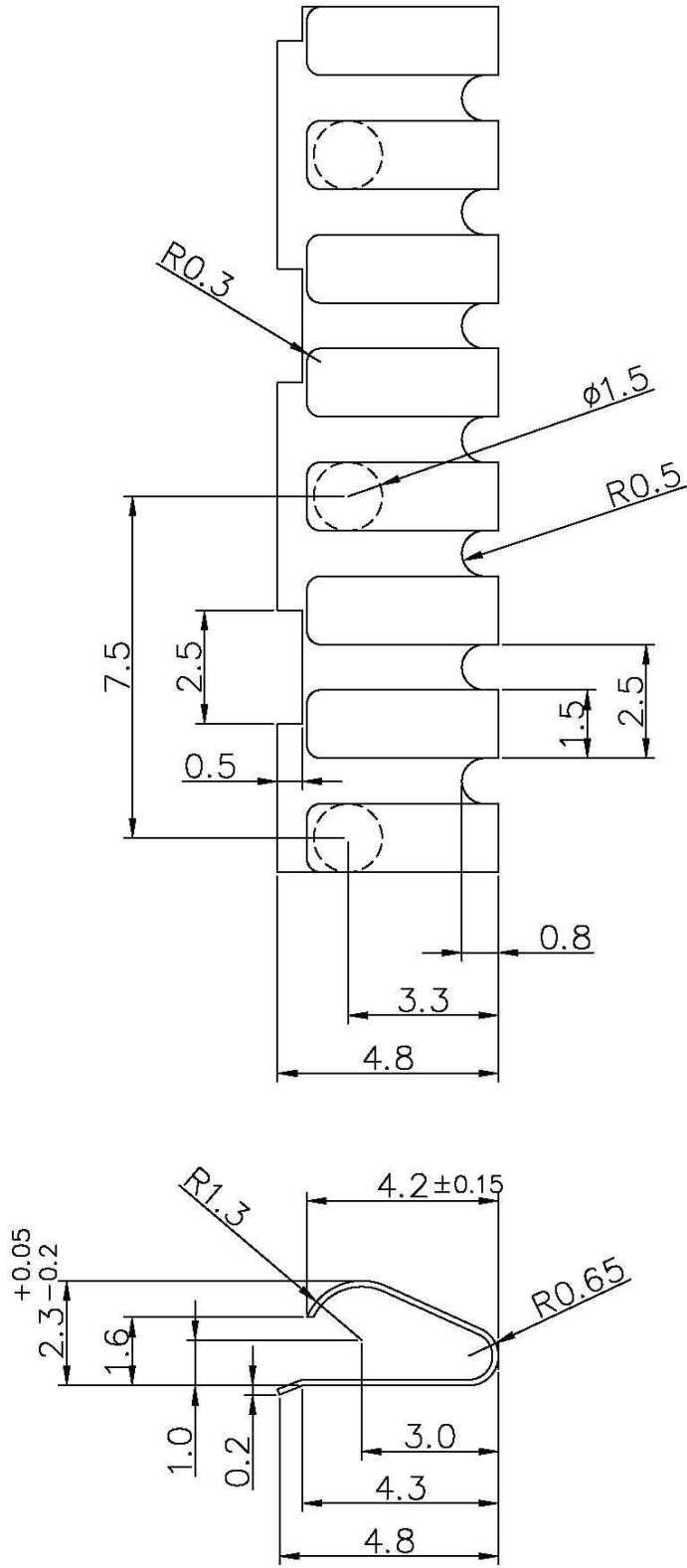
SCALE : 5/1

Designed by	Checked by	Approved by - date	Date	Material
			040612	SUS301 1/2H 0.2t
			Title	FINGER STRIP
			P/N	002
			Edition	Sheet



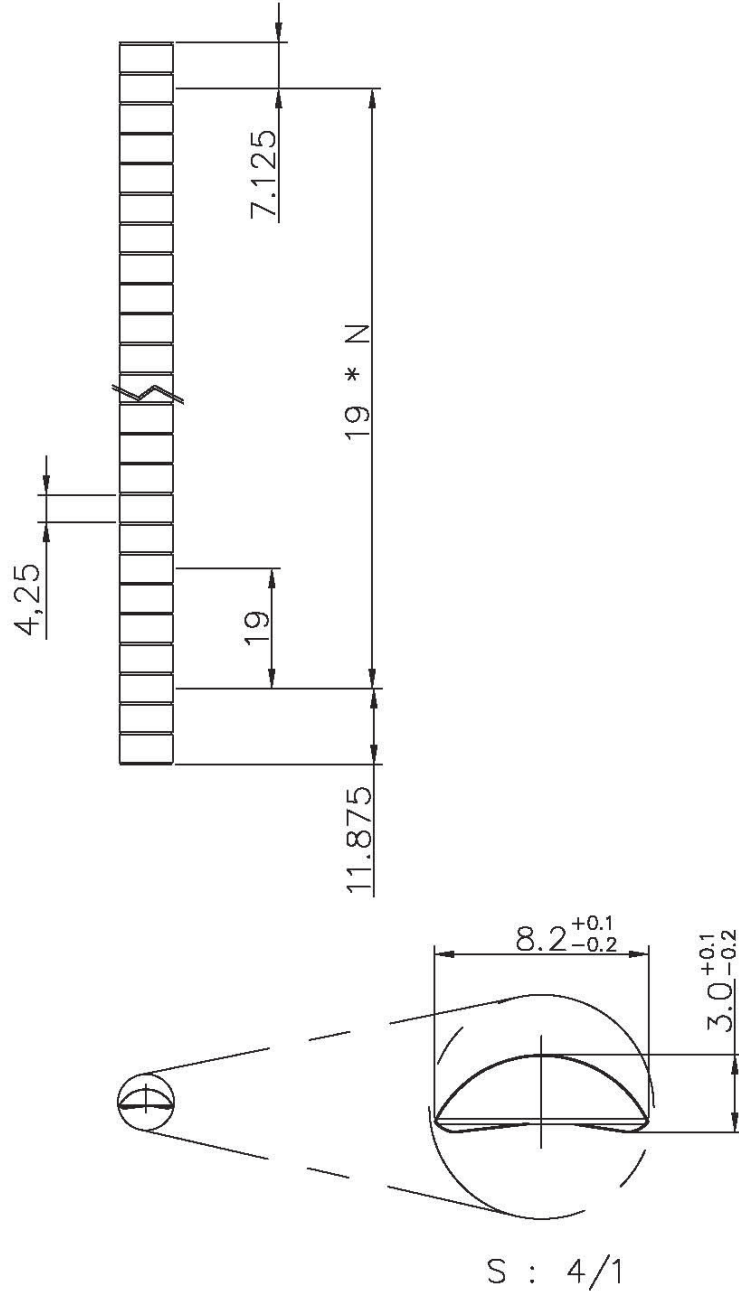
SCALE : 6/1

Designed by	Checked by	Approved by - date	Date	Material
			040612	BeCu 0.2t
			Title	FINGER STRIP
			P/N	006
			Edition	Sheet



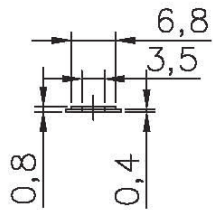
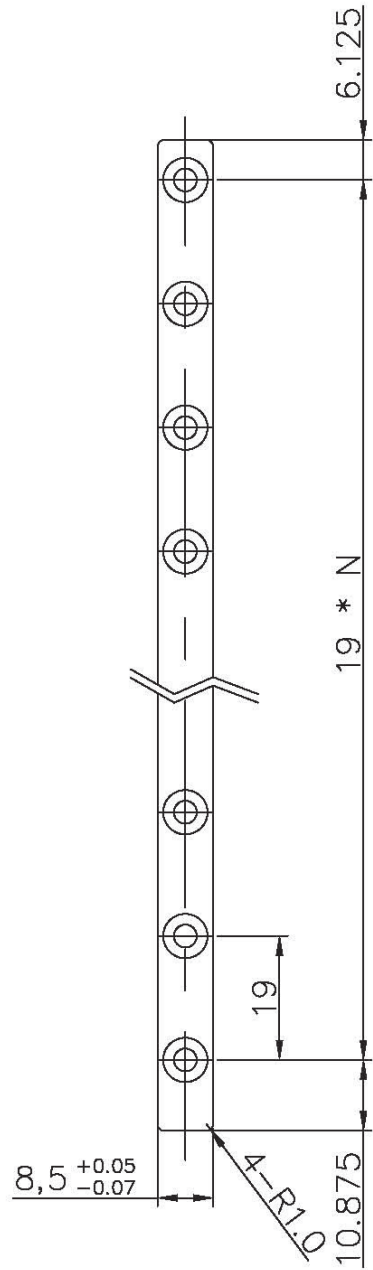
SCALE : 7/1

Designed by	Checked by	Approved by - date	Date	Material
			040612	BeCu 0.13t
			Title	FINGER STRIP
			P/N	007
			Edition	Sheet



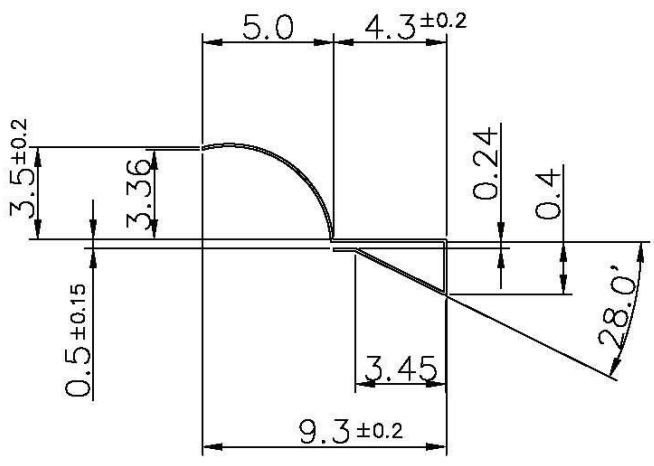
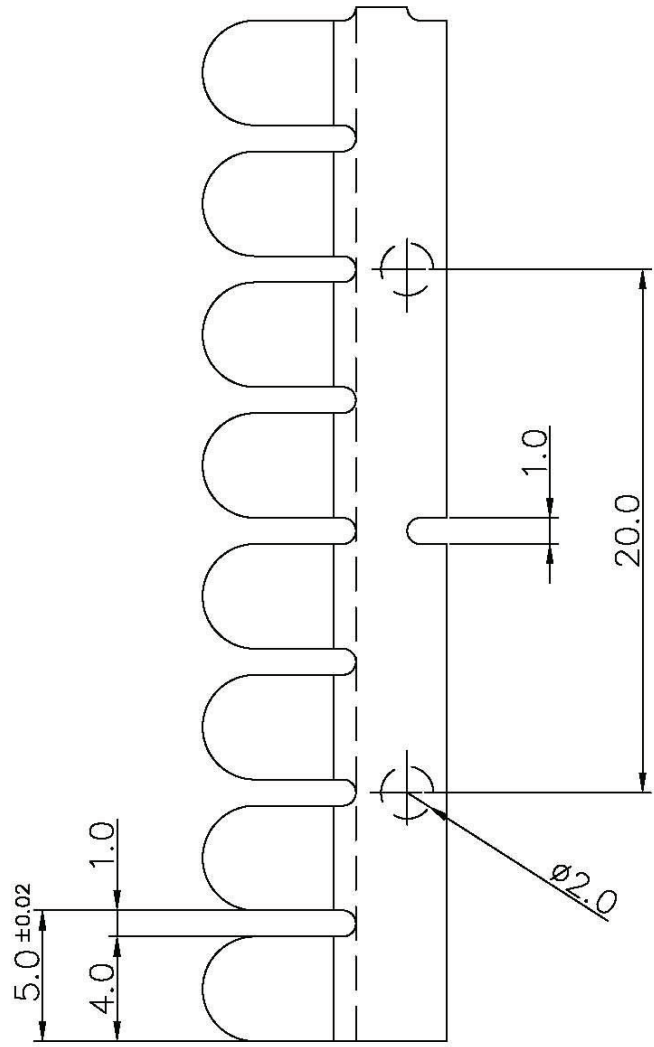
SCALE : 1/1

Designed by	Checked by	Approved by - date	Date	Material
			040612	BeCu 0.05t
		Title	FINGER STRIP	
			Edition	Sheet



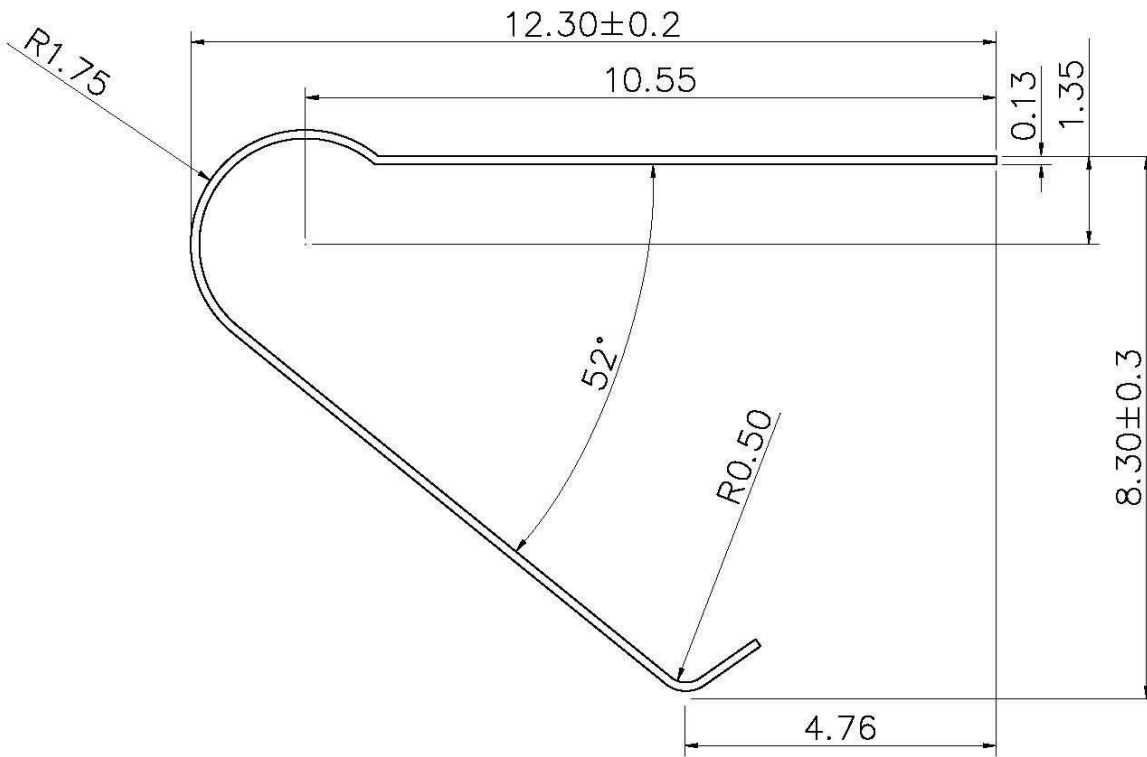
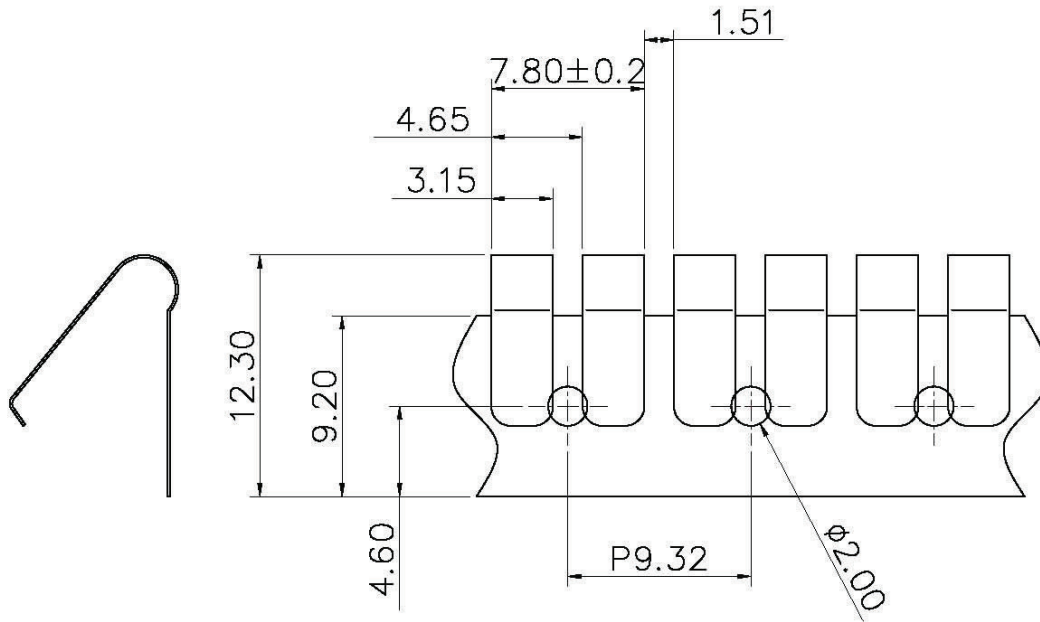
SCALE : 1/1

Designed by	Checked by	Approved by - date	Date	Material	
			040612	C2680H 0.4t	
			Title	FINGER STRIP	
				Edition	Sheet



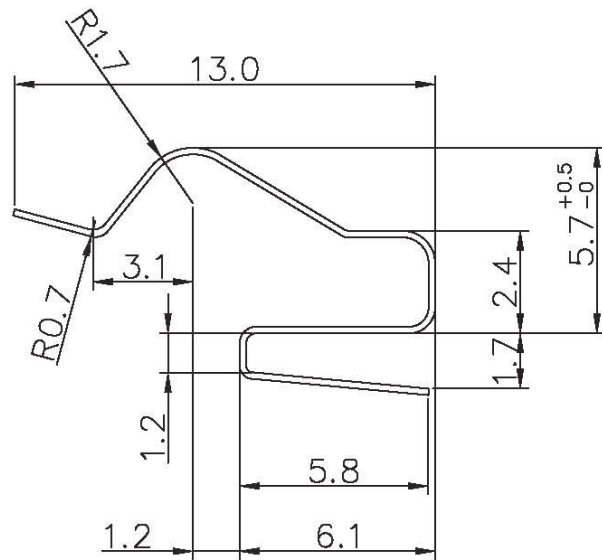
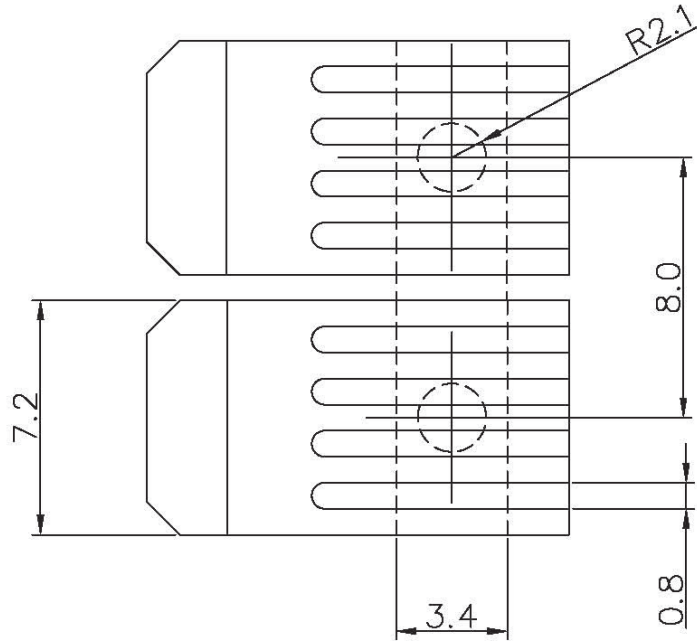
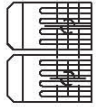
SCALE : 4/1

Designed by	Checked by	Approved by - date	Date	Material
			040612	SUS301 0.1t
			Title	FINGER STRIP
			P/N	009
			Edition	Sheet



SCALE=10/1

Designed by	Checked by	Approved by - date	Date	Material
			040612	BeCu 0.13t
			Title	FINGER STRIP
			P/N	017-1
			Edition	Sheet



SCALE : 5/1

Designed by	Checked by	Approved by - date	Date	Material					
			040612	C5210-EH 0.2t					
			Title	FINGER STRIP					
			P/N		<table border="1"> <tr> <td>Edition</td> <td>Sheet</td> </tr> <tr> <td></td> <td></td> </tr> </table>	Edition	Sheet		
Edition	Sheet								